

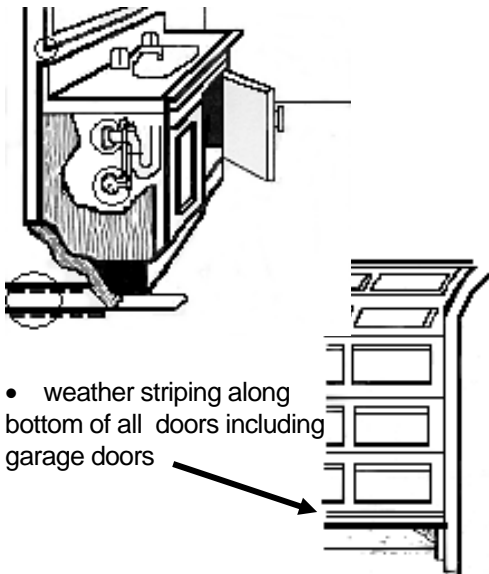
SERVICES PROVIDED

The Santa Clara County Vector Control District provides information to County residents on the identification, exclusion and treatment of Oriental cockroaches. We do not provide pesticide applications to residences or to public properties. Contact your local city jurisdiction to find out what services they may offer.

EXCLUSION

Oriental cockroaches will commonly enter homes along plumbing (up through the floor from underneath the crawlspace) and under door and window jams. Exclusion measures, which will help prevent Oriental cockroaches from entering at these sites, include:

- repairing broken window and door screens
- plugging cracks around baseboards, sinks and pipes with putty or caulking



- weather stripping along bottom of all doors including garage doors

ORIENTAL COCKROACH



PREVENTION & CONTROL

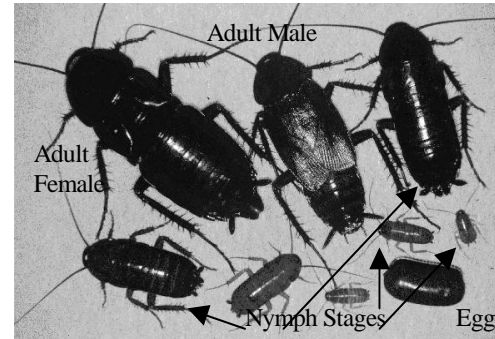
SANTA CLARA COUNTY
VECTOR CONTROL
DISTRICT

1555 BERGER DR. # 300

SAN JOSE CA 95112

1-800-675-1155/408-918-4770

www.sccvector.org



DESCRIPTION

Oriental cockroaches are dark brown to black in color and 1 - 1¼ inch in length.

The females have only traces of wings, while males have short wings which cover half to three quarters of the body. These pests cannot fly.

HABITS

Oriental cockroaches are more active at night when they leave their dark, damp environment in search of food or water. Often they can be seen during the summer months wandering on lawns or pavement.

Occasionally homeowners may find this roach indoors. This does not mean that the home is infested. Usually it indicates a roach is searching for food away from its resting area.

In yards, Oriental cockroaches may nest in any dark, cool, damp area. These areas commonly include:

- under cement foundations
- cracks in foundations
- crawlspaces
- basements
- thick vegetation (especially junipers & ivy)
- under wood piles & debris
- under plastic cover

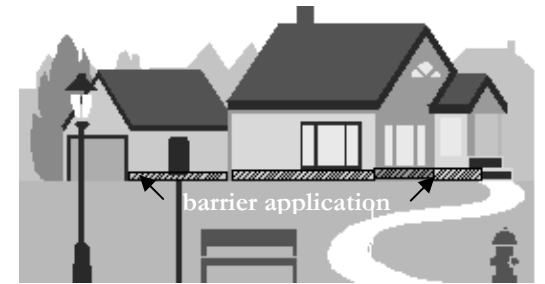
CONTROL

Pesticide Control Methods

Oriental cockroaches can be controlled outdoors with liquid insecticides. Read product labels to find those registered for cockroach control. Choose a product which provides extended residual control.

Liquid insecticides may be applied with a pump type "hand can" sprayer or a plastic jar applicator, which attaches to a garden hose. Spray around areas where cockroach activity is observed.

If roaches are entering the home, apply a barrier application around the foundation of the



house as well as 2 feet up the wall. This will help prevent roaches from entering from these sites. All pillars, pipes, porches and supports need to be treated.

There are several low toxic products available for use indoors to control roaches. These include baits and bait stations containing boric acid, fipronil and hydramethylnon. When using gel type baits, small dabs in several locations are more effective than a few large blobs. For the best locations to place bait stations see "Suggestions for trap locations" under "Non-toxic Control Methods: Sticky traps".

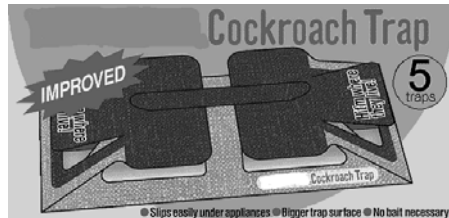
Be sure to check your bait stations frequently and remove any empty bait stations.

WHEN USING PESTICIDES:

- Avoid contact with eyes, skin and clothing.
- Follow all label directions.
- Do not permit children or pets to go on treated areas until the spray has completely dried.
- Keep pesticides out of reach of children.

Non-toxic Control Methods

Sticky traps



Trapping can be successful if:

- you have a small cockroach infestation
- all harborages have been sealed
- you maintain good sanitation practices
- you place enough traps close to the infestation centers
- you use proper trap management

The number of traps needed will depend upon the extent of the infestation.

Place sticky traps next to walls, under appliances and in hidden areas. In cabinets and on the floor, traps should be placed against the wall, in the center, not the corner. Traps should also be placed above false ceilings. The closer the trap is to the infested area, the more cockroaches you will catch. Replace filled traps as needed. If traps don't catch any cockroaches within a week or so, reposition them.

Suggestions for trap location:

- beside or behind toilet
- under all sinks
- beside shower or bathtub
- back of all kitchen cabinets
- behind, beside or under refrigerator, stove, water heater, washing machine, and dishwasher

Dusts-

Dusts called desiccants literally dry out cockroaches that come into contact with them. Two desiccants most often used for cockroach control are diatomaceous earth (DE) and silica aerogel. DE is virtually non-toxic to humans. Be sure to use DE labeled for pest control and not for pool filters. Silica aerogel is a non-abrasive, chemically inert substance that is used as a dehydrating agent and can often be purchased from a florist.



Place the material in a duster or a flexible bottle that has a small, narrow nozzle (less than 1/4") and apply a thin coating of the material. Use several small puffs rather than one large application.

IMPORTANT

- Desiccants do not work when wet, so use them in dry areas only.
- Desiccants can harm motors and electrical equipment, so avoid using them near any appliances.

Vacuuming

A vacuum with a crevice tool can be effective on small, isolated infestations. Vacuuming cleans out old and new egg cases, loose fecal materials and living and dead cockroaches. **Vacuuming will not kill live cockroaches.** Immediately place used vacuum bag in a sealable container or freezer for disposal.

PLEASE NOTE:

- Established infestations may require more than one application.
- Severe infestations may require the services of a Licensed Pest Control Operator.

PREVENTION

Since Oriental cockroaches nest in dark, damp, cool areas, reducing or eliminating these areas will prevent future infestations.

- TRIM VEGETATION AND THIN-OUT HEAVY GROWTH
- REMOVE LEAF LITTER ACCUMULATIONS FROM UNDER LANDSCAPING



- STACK FIREWOOD AND LUMBER PILES OFF THE GROUND AND AWAY FROM THE HOUSE.
- REMOVE DEBRIS FROM YARD
- DO NOT WATER YARD AT NIGHT
- DO NOT LEAVE PET FOOD OUT OVERNIGHT

